

## Air Cooled Dry Pump

## NeoDry Series

Air-Cooled, Reduced Foot Print, Dry Vacuum Pump, The Lowest CoO, Competitively Priced



- Simple Hookup - Does not require Water or N<sub>2</sub>
- Lowest CoO Among Comparable Pumps
- Maintenance Free - Non Contact Internal Components
- Applicable for Water Vapor Pumping

Specification Table

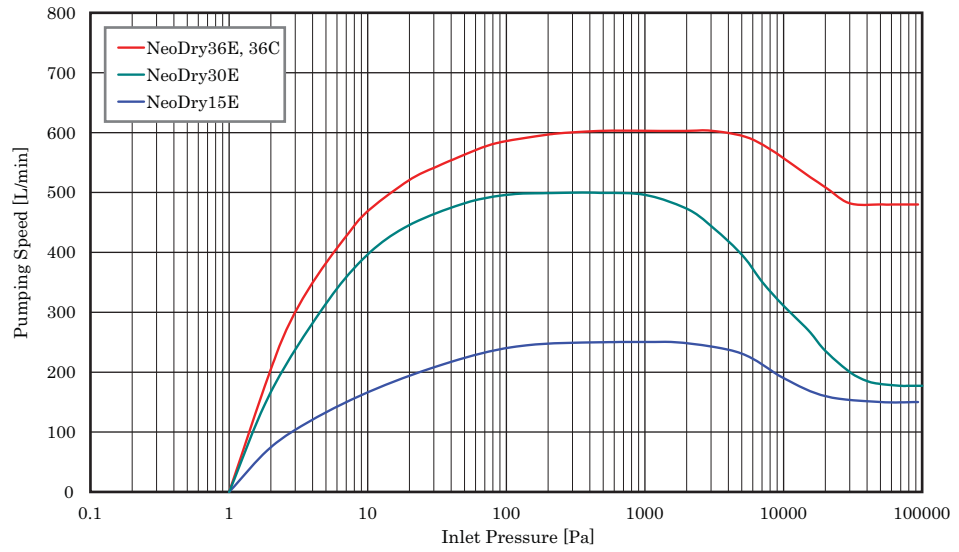
Items	Model	NeoDry 15E	NeoDry 30E	NeoDry 36E	NeoDry 36C	Note
Max. Pumping Speed (l/min)		250	500	600		
Ultimate Vacuum (Pa)		1.0				
Max. Inlet Pressure		Atmospheric				
Connection Size	Intake	NW25	NW40			
	Exhaust	NW25				
Rated Motor Output (kW)		0.4		0.75		
Power Source(50/60Hz) <sup>*1</sup>		Single Phase: 100-115V / Single Phase: 200-240V / 3 Phase: 200-240V				
Gas Ballast <sup>*2</sup>		Available (N <sub>2</sub> or Air)				Optional
Max. Moisture Pumping <sup>*3</sup>		250g/h		350g/h		
Noise (dB (A))		56	58	62		With Inlet Closed
Weight (kg)		23	25	54	58	

<sup>\*1</sup> Please consult us when utilize other power source.

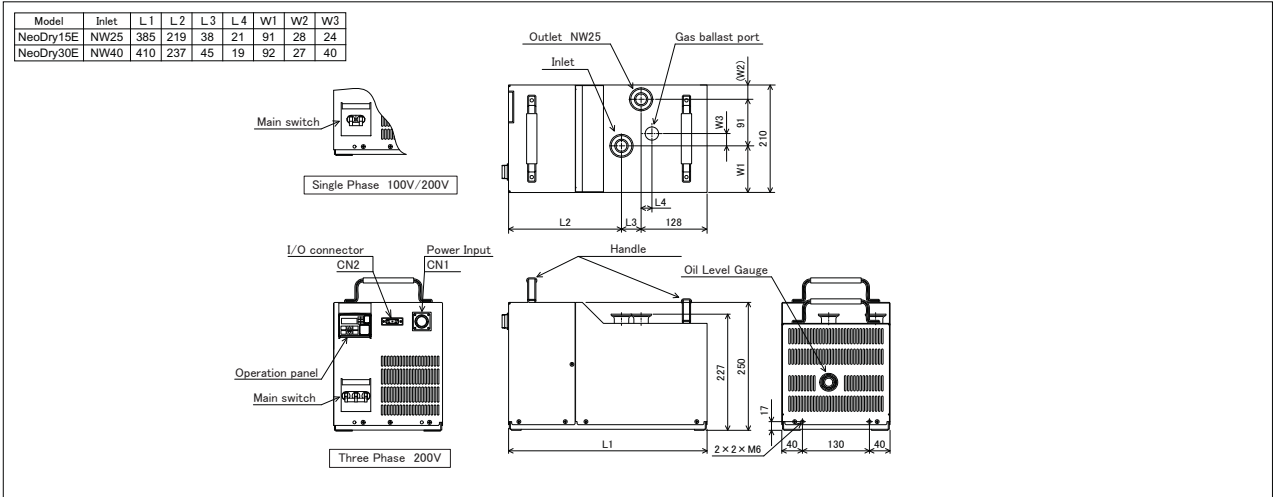
<sup>\*2</sup> Gas Ballast is required when pumping Moisture and Condensable Gases.

<sup>\*3</sup> This value is measured when gas ballast valve is fully opened.

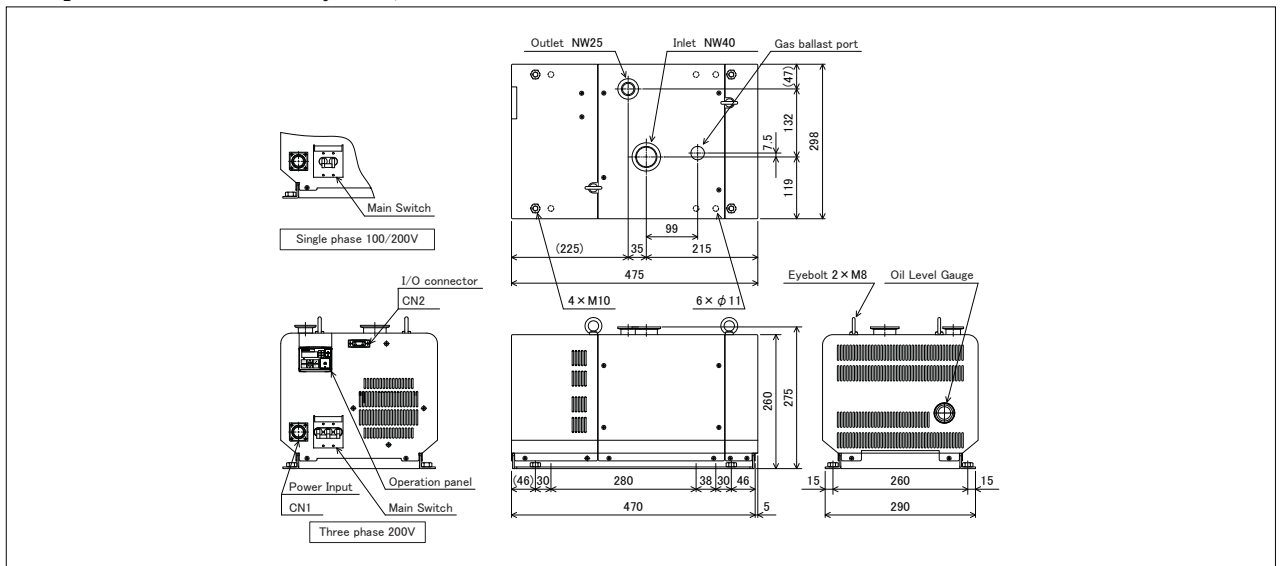
### Pumping Curve



### Pump Schematics (NeoDry 15E, NeoDry 30E)



### Pump Schematics (NeoDry 36E, 36C)



Note 1) Because we are constantly working to improve performance and upgrade our products, specifications and diagrammatic representations in this catalog may change without notice.

Note 2) Products displayed in this catalog must be approved for export in accordance with the Foreign Exchange and Foreign Trade Control Act. Before placing an export order, please contact our Business Department.

- Dry vacuum Pump
- Mechanical Booster Pump
- Air Discharge System

**Kashiyama-USA**

URL: [www.kashiyama.com/us/](http://www.kashiyama.com/us/)  
 mail address for inquiries:  
[sales@kashiyama.com](mailto:sales@kashiyama.com)

**Micro Dry Pump**

# MU Series

/ For Tool Mount /

The world smallest and least power consumption.  
The pump can be integrated into any equipment easily.

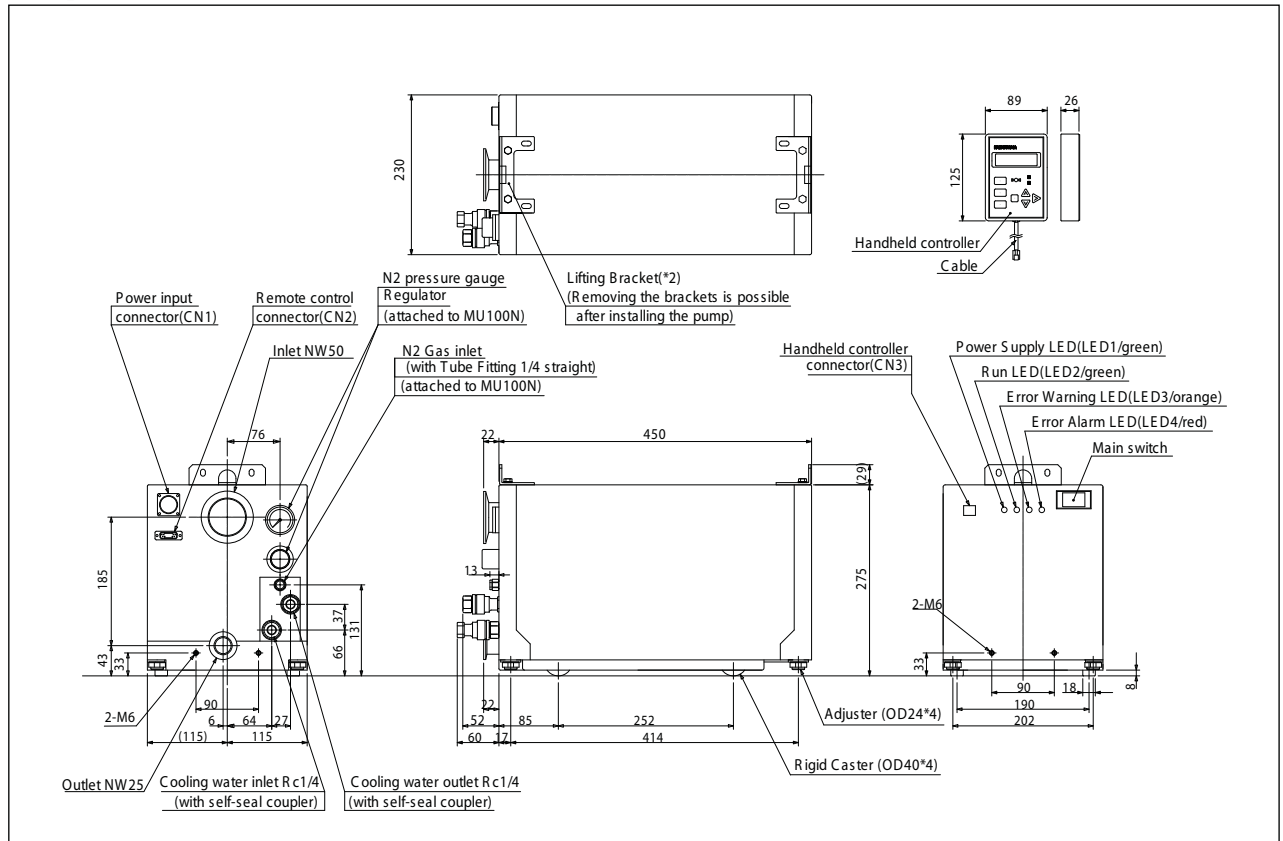


- Kashiyama ultimate space save design has realized the pumping speed of 1660l/min with the small foot print 230 mm x 450 mm.
- The MU series are perfect for load locks, clean exhaust for transfer rooms and light process application of semiconductor manufacturing.

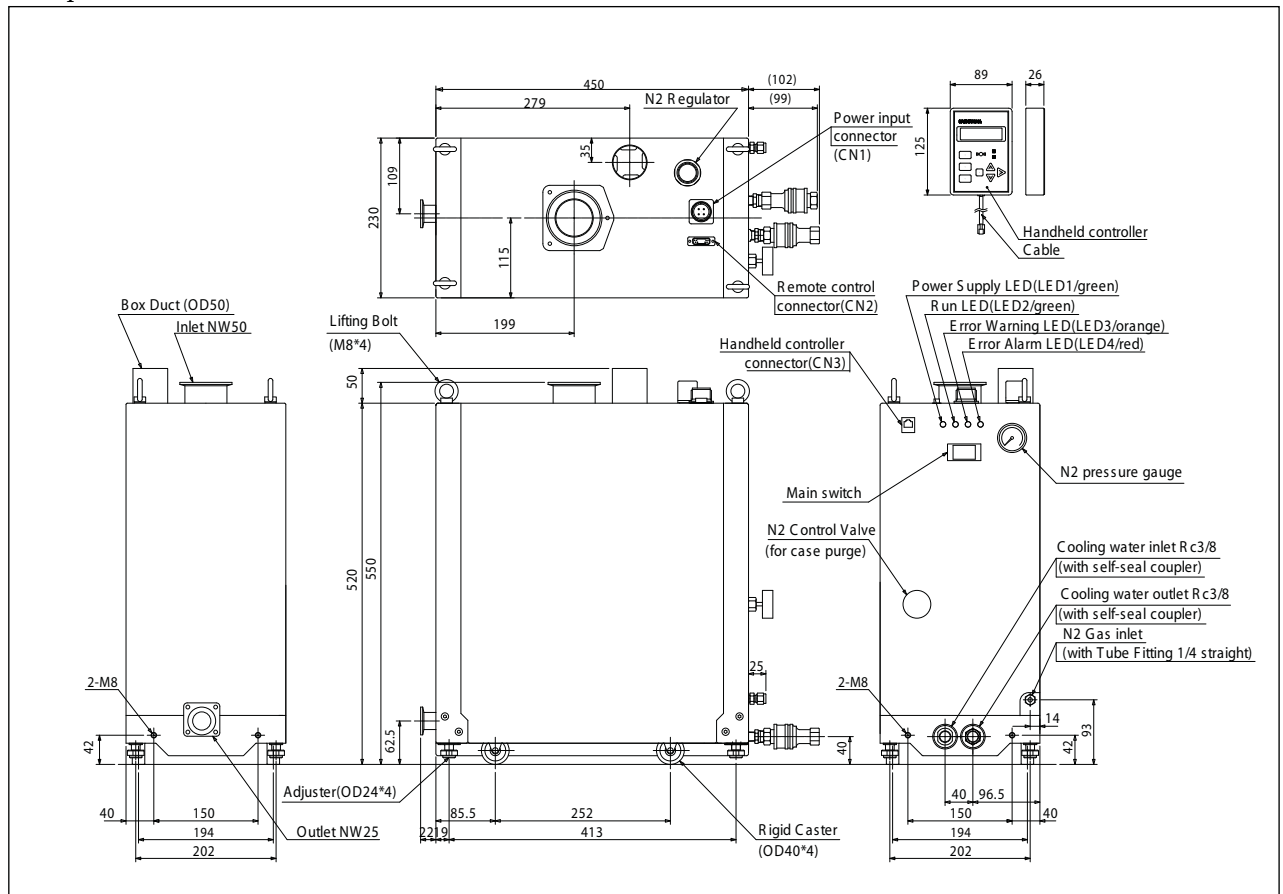
Specification Table

Specification \ Model	MU100	MU300
Maximum Pumping Speed (L/min)	1,660	5,000
Ultimate Pressure (Pa)	1.5	0.5
Maximum Inlet Pressure (Pa)	Atmospheric pressure	
Electric Power Capacity(kW)	2.2	2.2+2.2
Power in normal operation (kW)	0.7	0.9
Inlet Flange	NW50	
Outlet Flange	NW25	
Weight(Approx.) (kg)	60	100

Pump Schematic (MU100)



Pump Schematic (MU300)



Note 1) Because we are constantly working to improve performance and upgrade our products, specifications and diagrammatic representations in this catalog may change without notice.  
 Note 2) Products displayed in this catalog must be approved for export in accordance with the Foreign Exchange and Foreign Trade Control Act. Before placing an export order, please contact our Business Department.

- Dry vacuum Pump
- Mechanical Booster Pump
- Air Discharge System

MICRO DRY PUMP MU SERIES

## Dry Screw Pump

## SDE Series

Dry pumps reliable for all applications.  
Energy-saving feature combined with the reliability, SDE Series achieved lower running cost.



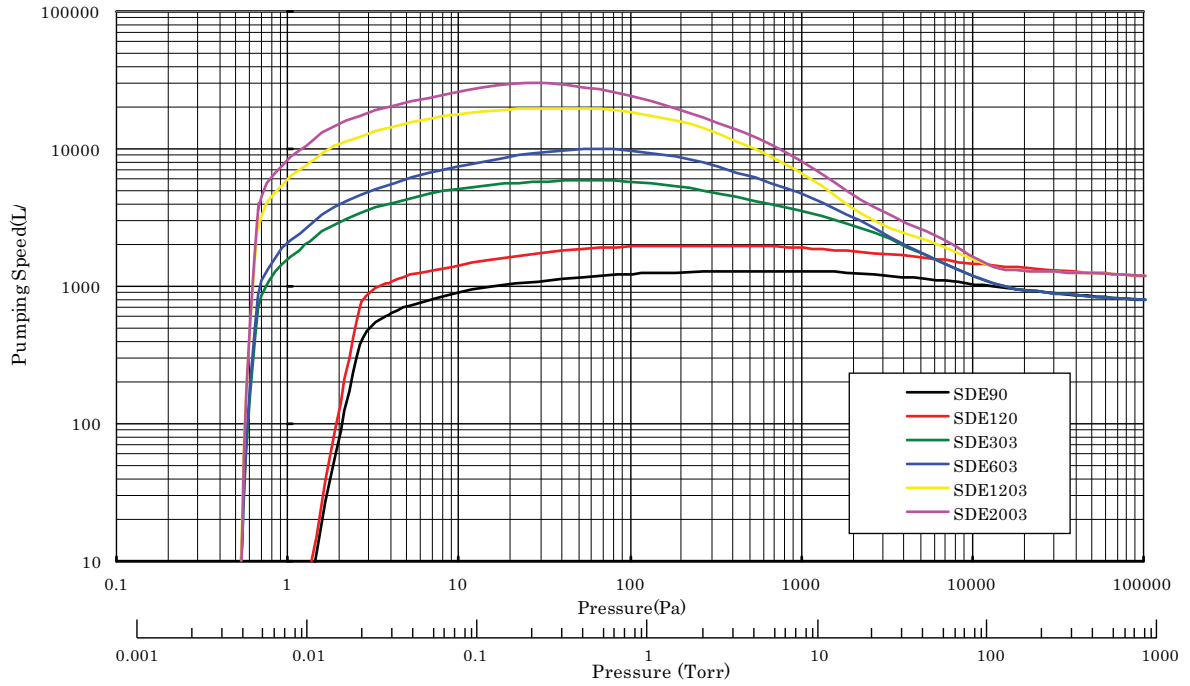
- Advanced screw technology allows longer life operation under hard applications.
- Anti-corrosion material construction allows pumping of corrosive gasses.
- The unique screw design and driving system realized 40% reduction in energy consumption, compared to conventional models.

Specification Table

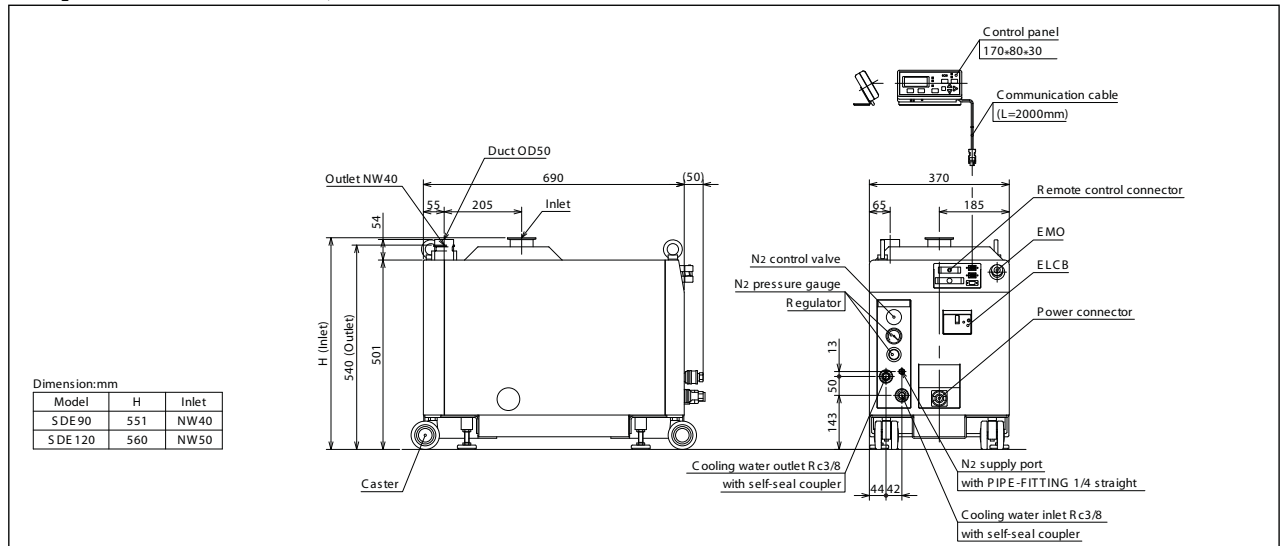
Specification	Model	SDE90	SDE120	SDE303	SDE603	SDE1203	SDE2003
Maximum Pumping Speed (L/min)		1,300	2,000	5,000	10,000	20,000	30,000
Ultimate Pressure (Pa)		1.3		0.5			
Maximum Inlet Pressure (Pa)		Atmospheric pressure					
Inlet Flange		NW40	NW50	NW80		NW100	NW160
Outlet Flange		NW40					
Weight(Approx.) (kg)		150	151	260	260	310	470
Electric Power Supply		3 phase AC200-220V 50/60Hz					
Power in normal operation (kW)*		2.8	3.2	3.0	3.1	3.6	4.0
Electric Power Capacity (kVA)		6.5		10.5		13.0	17.6
Cooling Water Supply		4L/min and over					
Purge N2 Gas Supply		0-60SLM					

\* Power at ultimate pressure.

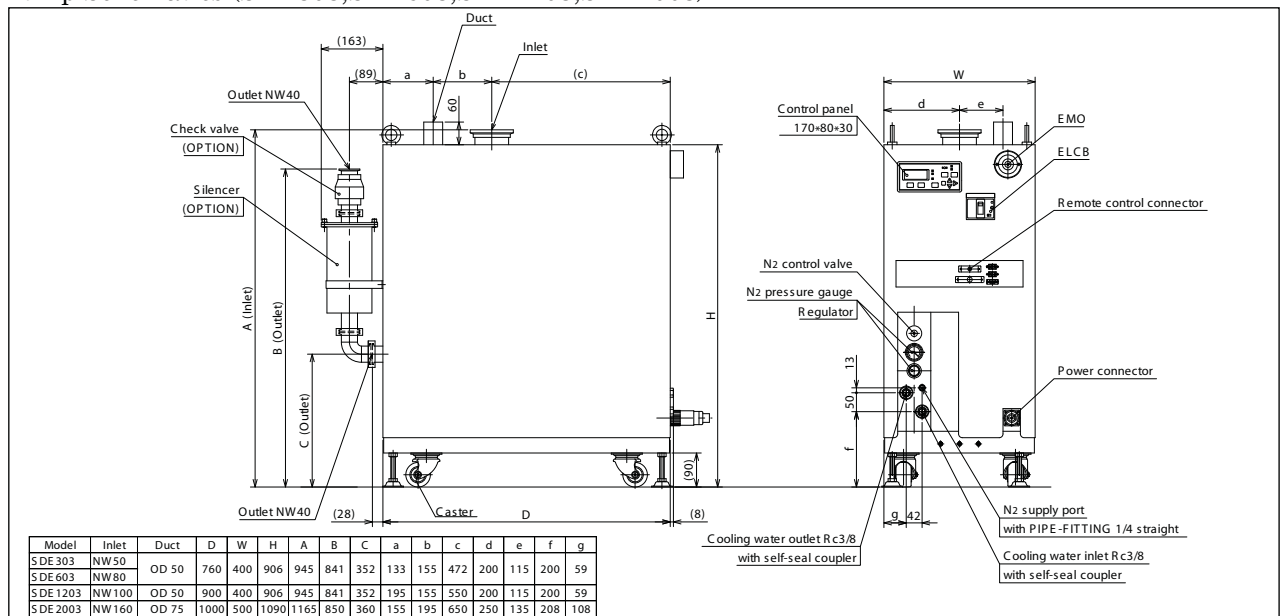
Pumping Curve(SP)



Pump Schematics (SDE90,SDE120)



Pump Schematics (SDE303,SDE603,SDE1203,SDE2003)



Note 1) Because we are constantly working to improve performance and upgrade our products, specifications and diagrammatic representations in this catalog may change without notice.  
 Note 2) Products displayed in this catalog must be approved for export in accordance with the Foreign Exchange and Foreign Trade Control Act. Before placing an export order, please contact our Business Department.

- Dry vacuum Pump
- Mechanical Booster Pump
- Air Discharge System

**Kashiyama-USA**  
 URL: [www.kashiyama.com/us/](http://www.kashiyama.com/us/)  
 mail address for inquiries:  
[sales@kashiyama.com](mailto:sales@kashiyama.com)

DRY SCREW PUMP SDE SERIES

**High Throughput Dry Pump**

**SDL Series**

HIGH THROUGHPUT DRY PUMP SDL SERIES

Higher pumping speed.  
 Support larger diameter wafer, larger FPD substrate and Solar applications.  
 Higher pumping speed minimizes the tact time for large load lock chamber.



- Maximized the pumping speed in the atmospheric side to achieve higher throughput.
- The combination with large booster pump allows higher pumping speed up to 55,000L/min.
- Applicable for clean processes.

Specification Table

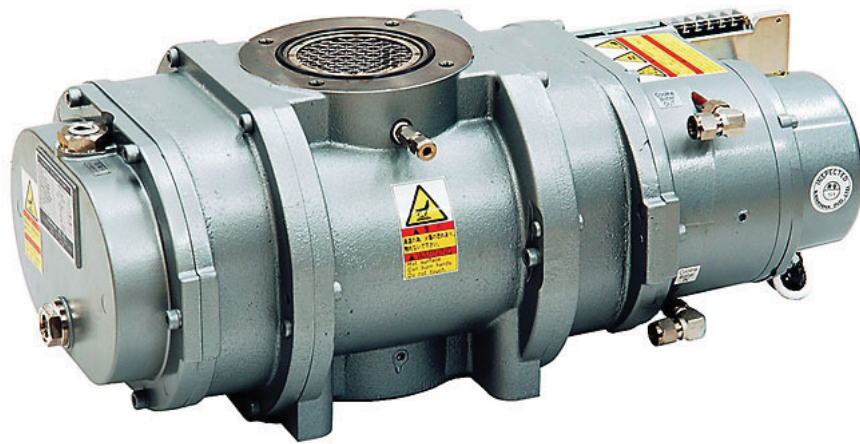
Specification	Model	SD220L	SDL25K	SDL40K	SDL60K
Maximum Pumping Speed (L/min)		3,100	25,000	40,000	55,000
(Upper 50Hz / Lower 60Hz)		3,700			
Ultimate Pressure (Pa) 50/60Hz		4/3	0.5		
Maximum Inlet Pressure (Pa)		Atmospheric pressure			
Inlet Flange		NW50	NW100		NW160
Outlet Flange		NW40	NW50		
Weight(Approx.) (kg)		450	620	750	910
Electric Power Supply		3 phase AC200 50/60Hz AC220V 60Hz	3 phase AC200-220V 50/60Hz		
Power in normal operation (kW)		5.0	6.9	7.0	7.4
Electric Power Capacity (kVA)		8.3	17.0	23.6	28.1
Cooling Water Supply		5L/min and over	6L/min and over		
Purge N2 Gas Supply		0-50SLM			



**Booster Pump**

# KMB Series

Can be used in combination with the dry pumps to enhance pumping capacity.  
 Rotational speed control enables operation from atmospheric pressure.



- High efficiency motor and driving system realized significant downsize compare to conventional models.
- Canned motor is adapted to improve reliability.
- Improvements of the driving system and mechanical efficiency allow minimizing the power.
- Rotation speed control achieves continuous operation under the atmospheric pressure.
- Synchronous motor enables consistent pumping performance at any power supply frequency. (03 series)

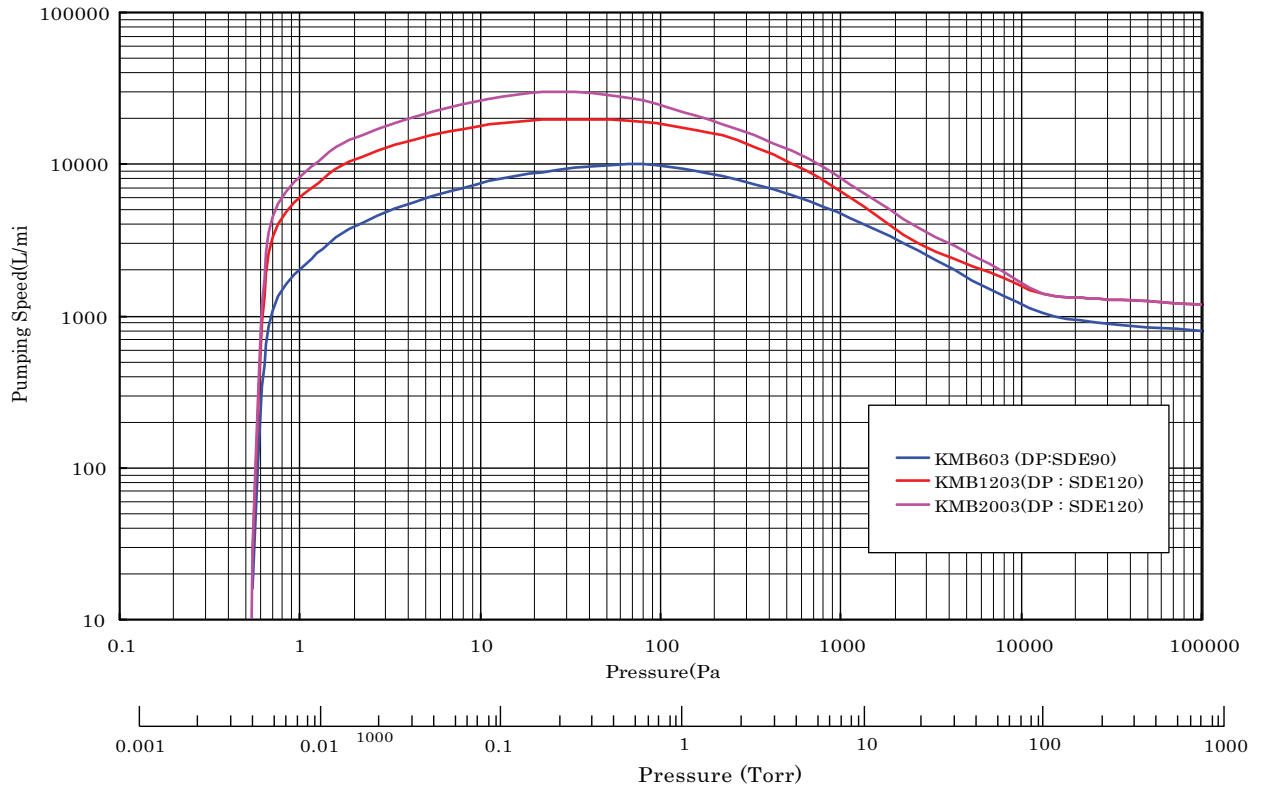
Specification Table

Specification	Model	KMB603	KMB1203	KMB2003
Maximum Pumping Speed (L/min)*		10,000	20,000	30,000
Ultimate Pressure (Pa)*		0.5		
Maximum Inlet Pressure (Pa)		Atmospheric pressure		
Inlet Flange		VG80	VG100	VG150
Outlet Flange		VF65	VF100	VF150
Weight(Approx.) (kg)		85	110	230
Electric Power Supply		3 phase AC200-220V 50/60Hz		
Power in normal operation (kW)**		0.3	0.4	0.8
Electric Power Capacity (kVA)		4.0	6.5	11.1
Cooling Water Supply		3L/min and over		
Purge N2 Gas Supply		0 or 20SCCM		

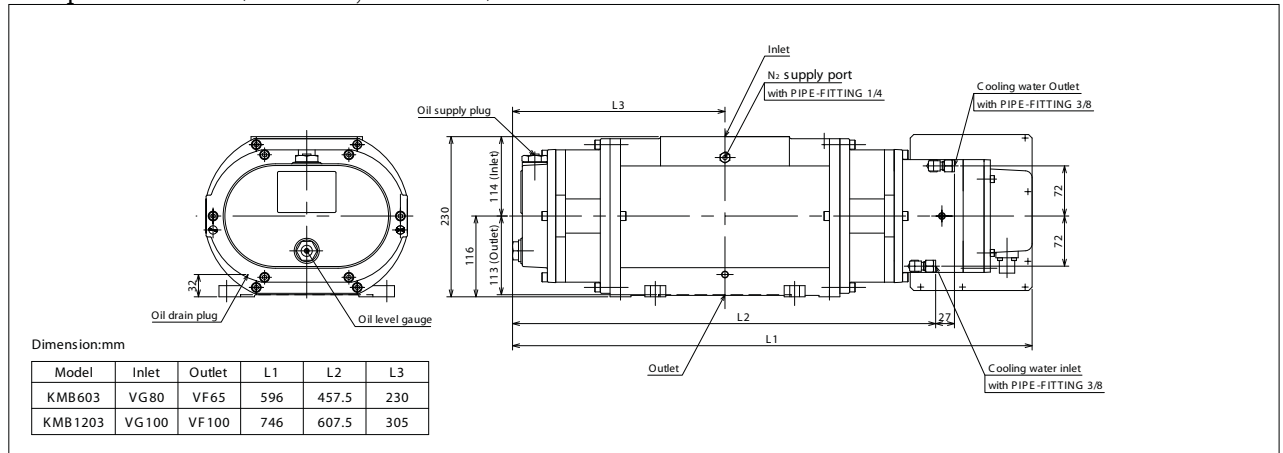
\*The values shown here represent operation in combination with the dry pump as recommended by Kashiyama.  
 \*\*Power at ultimate pressure.

BOOSTER PUMP KMB SERIES

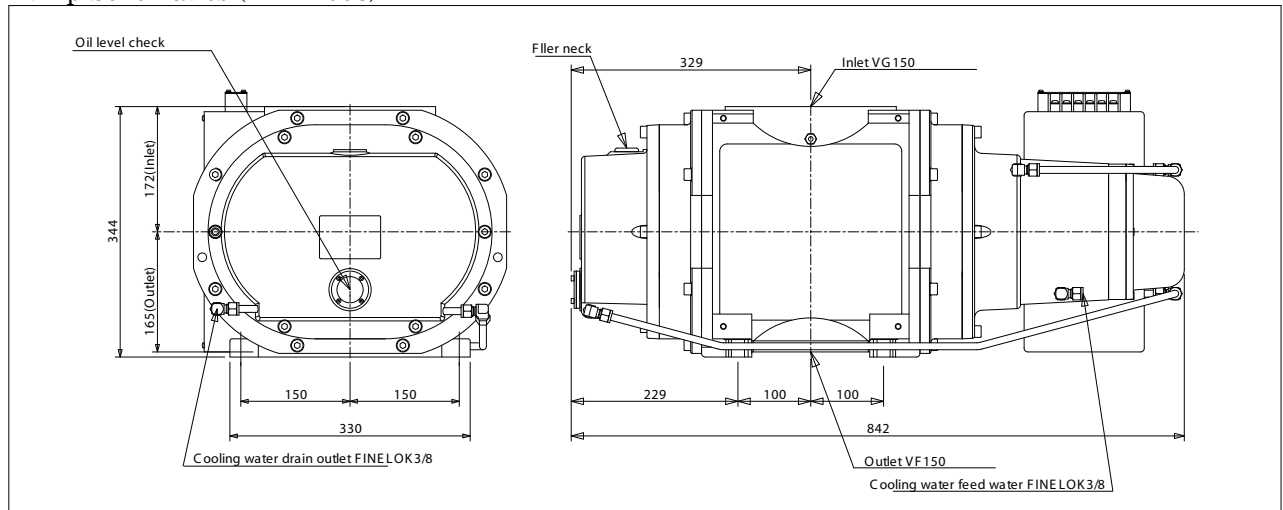
Pumping Curve(SP)



Pump Schematics (KMB603,KMB1203)



Pump Schematics (KMB2003)



Note 1) Because we are constantly working to improve performance and upgrade our products, specifications and diagrammatic representations in this catalog may change without notice.  
 Note 2) Products displayed in this catalog must be approved for export in accordance with the Foreign Exchange and Foreign Trade Control Act. Before placing an export order, please contact our Business Department.

- Dry vacuum Pump
- Mechanical Booster Pump
- Air Discharge System

**Kashiyama-USA**  
 URL:www.kashiyama.com/us/  
 mail address for inquiries:  
 sales@kashiyama.com

BOOSTER PUMP KMB SERIES